

THE
FORT

Disney
PETER PAN
DIAMOND EDITION

FAMILY
WEEKEND
FUN CRAFT



FAMILY FORT HIDEOUT!

Kids need a place to be kids. So, why not show them how it's done?! Pitch in to help them create they're own special hideout out of old wood and cardboard boxes.

YOU WILL NEED: Cardboard boxes, Tree branches, Zip ties, Tape, Scissors, Green paint, Brown paint, Foliage, Rope or Twine

HERE'S HOW: **Have an adult help you with this craft**

- 1 Open up boxes at the seam lay them all our flat on the ground. Create walls and a rooftop by taping them together into the shape of a box.
- 2 Use the tree branches to stabilize your walls by zip tying them to each of the four corners of your box. This is the main room of the fort.
- 3 Place the last cardboard piece on the top to make the roof, then zip tie it to the tree branches.
- 4 Cut out the windows and doors, then paint wood plank texture to the outside and place foliage on the rooftop.



**BLU-RAY™ COMBO PACK AND HD DIGITAL
ON FEBRUARY 5TH**



PETER PAN SNACKS



Join us in celebrating the DVD release of PETER PAN, by creating these deliciously healthy snacks, inspired by your favorite pixie, Tinker Bell and the crafty Captain Hook.



TINKER BELL'S Perfectly Pixie Nectar

INGREDIENTS:

1/2 cantaloupe - peeled, seeded and cubed
1 lime, juiced
2 tablespoons honey

PREPARATION:

With the help of an adult, in a blender, combine cantaloupe, lime juice and honey. Blend until smooth. Pour into glasses and serve.

Makes 2 magical servings



CAPTAIN HOOK'S Honey Oat Planks



INGREDIENTS:

2 cup pitted dates, chopped
1 cup water
1/2 cup honey
1 teaspoon vanilla
2 eggs
2 c. rolled oats
1 1/2 cups unbleached flour
1/2 cup butter
1/2 tsp. baking soda

PREPARATION:

With the help of an adult, cream honey and butter together. Add 2 eggs, vanilla and water; mix thoroughly. Add flour, baking soda, dates and rolled oats. Pour into 9x9 inch buttered baking pan. Bake at 350 degrees for 25 to 30 minutes.

Cool and cut into 12 planks.



**Blu-ray™ Combo Pack and
HD Digital on February 5th**



RECREATE THE MAGIC IN YOUR OWN HOME!

NEVER LAND SHADOWBOX THEATER

Featuring character cut-outs of Peter, Tink, Captain Hook, Wendy, Croc

WHAT YOU'LL NEED

- Large cardboard box in the size you'd like
- Scissors or a box cutter (ask an adult to complete this portion)
- Wax paper or white cloth (a handkerchief or a piece of an old sheet)
- An unshaded lamp or flashlight
- Tape
- Several pencils or popsicle sticks
- Crayons, markers or construction paper for decoration

BUILD YOUR SHADOW THEATER

- 1: Find an empty cardboard box in the size you'd like.
- 2: Draw a line within 2 inches around one of the sides of the box (fig. 1)
- 3: Ask an adult to cut along this line to create your screen.
- 4: Cut along the bend to remove the top, bottom & opposite side of box, leaving the two sides to fold out as wings (fig. 2)
- 5: Ask an adult to cut a piece of wax paper, white cloth (a handkerchief or a piece of an old sheet), big enough to cover the opening in the frame. Use masking tape to attach this tightly to the back side of the screen (fig. 3)
- 6: Position your screen on a table edge and set up an unshaded light behind the screen. (fig. 5)
- 7: Ask an adult to cut out provided shadow puppet shapes. Attach a popsicle stick or pencil (with tape) to the the back of the cutout for the puppeteer to hold and move the character.

PRESENT YOUR SHADOW SHOW:

Drape a tablecloth over the table front to hide your activity from the audience.

Place an unshaded lamp or flashlight on a chair behind the puppeteer area as shown. Puppeteers sit or kneel on the floor behind the screen to operate your puppets.

Hold your puppets between the light and the screen and the audience will see the shadows that you create on the other side.

If possible, turn out other unnecessary room lights to help the audience focus on the puppets actions on-screen.

Create additional scenery – trees, mountains, the pirate ship, Big Ben etc., to tell your stories

Stage your own adventure with any combination of these characters.

- Help Wendy find Peter's Shadow
- Peter rescues Tink from Captain Hook
- Tic Toc Croc nearly catches Captain Hook

<see next page for your shadowbox character cutouts>

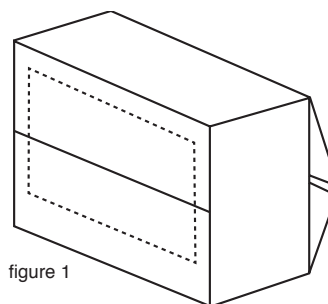


figure 1

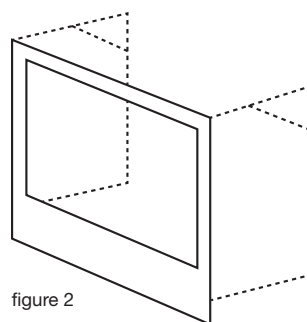


figure 2

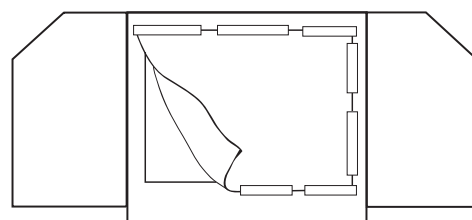


figure 3 (rear construction)

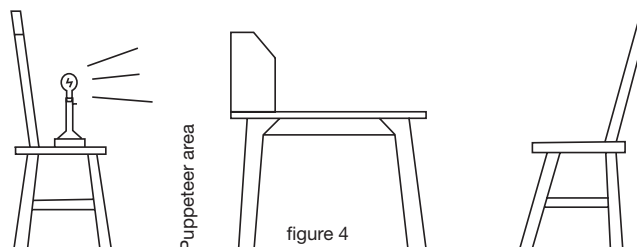
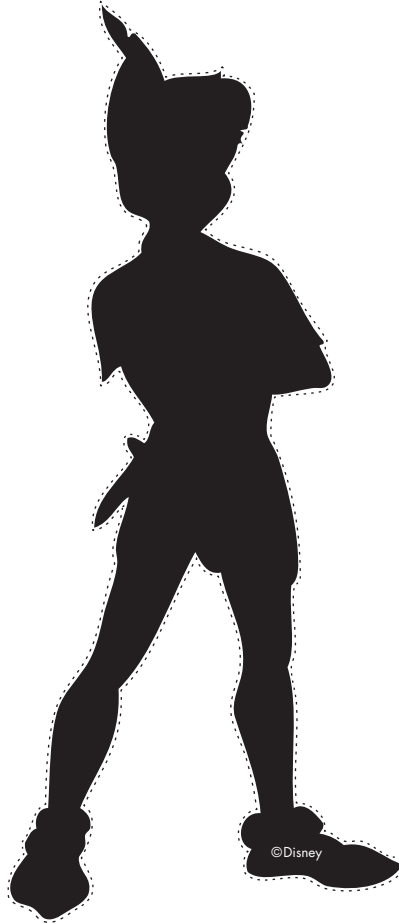
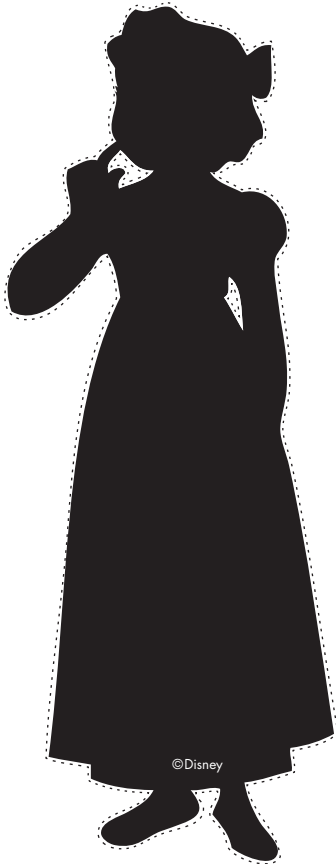


figure 4



Blu-ray™ Combo Pack and HD Digital on February 5th



NEVER LAND SHADOWBOX THEATER
Character Cutouts



**Blu-ray™ Combo Pack and
HD Digital on February 5th**